

**Series 4, condenser tumble dryer, 8 kg  
WTN86201GC**



**Our condensation dryer. Crease-resistant and especially gentle to your laundry. Surprisingly quiet at the same time.**

- **The QuickDry Auto program is perfect for activewear and gently, yet quickly dries clothes.**
- **SensitiveDrying System:** gently dries laundry to exactly the degree of dryness you want.
- **Fast drying:** dries your laundry considerably faster than before.
- **Sensitive Drying System:** for gentle drying without wrinkles.
- **The Down Wear program is for making clothes, bedspreads, or eiderdowns that are filled with down feathers.**

Built-in / Free-standing: .....	Free-standing
Removable top: .....	No
Door hinge: .....	Right
Color / Material body: .....	White
Length electrical supply cord: .....	145 cm
Dimensions: .....	842x598x613 mm
Net weight: .....	41.3 kg
Drum volume: .....	112 l
Connection rating: .....	2800 W
Fuse protection: .....	13/10 A
Voltage: .....	220-240 V
Frequency: .....	50 Hz
Drying process: .....	automatic
Loading capacity: .....	8.0 kg
Energy efficiency rating: .....	B
Power consumption in off-mode - NEW (2010/30/EC): .....	0.15 W
Power consumption in left-on mode - NEW (2010/30/EC): .....	0.50 W
Condensation efficiency class - NEW (2010/30/EC): .....	B

- WMZ20600 Wool in basket - accessory
- WTZ1110 Condenser drainage kit
- WTZ11400 Stacking kit with pull-out shelf
- WTZ20410 Stacking kit
- WTZPW20D Platform with pull-out, dryer, cubic



## Series 4, condenser tumble dryer, 8 kg WTN86201GC

**Our condensation dryer. Crease-resistant and especially gentle to your laundry. Surprisingly quiet at the same time.**

- Stainless steel front

### **Main features**

- Capacity: 8 kg
- Dryer type: Condenser
- Energy efficiency class: B
- power consumption in off-mode 0.15 W and in left-on mode 0.5 W
- The programme Cotton cupboard dryused at full and partial load is the standard drying programme to which the information in the label and the fiche relates, this programme is suitable for drying normal wet cotton laundry and is the most efficient programme in terms of energy consumption for cotton.
- Condensation efficiency class B on a scale from G (least efficient) to A (most efficient).
- Noise level: 64 dB (A) re 1 pW

### **Programmes**

- Special programmes: woollen finish, mix, Time program warm, Time program cold, sportswear, Down wear, Super 40, Shirts 15

### **Options**

- Anti crease cycle 120 min at the end of the programme
- Short-stroke buttons: start/pause, Low Heat, less ironing, 24 h Ready in

### **Convenience and Safety**

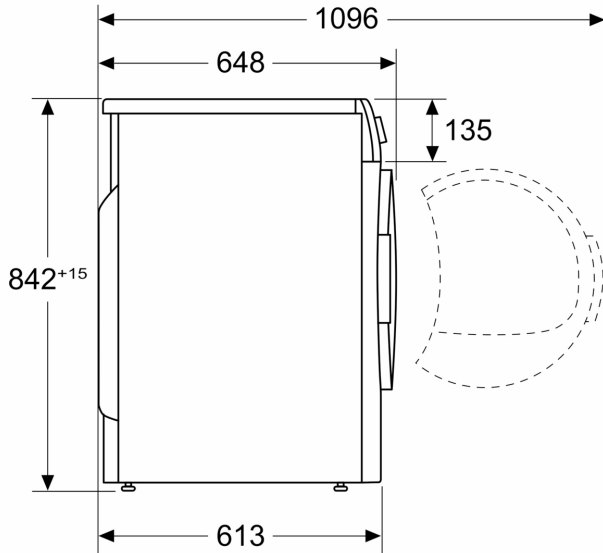
- DUO-Tronic
- Fully electronic control dial for sensor drying programmes, timed and special programmes
- LED-Display for remaining time and 24 h end time delay, programme status indication, special functions
- Active flow drying system: Big Stainless steel with textile care structure, soft design paddles
- Wool Drying Basket
- AntiVibration Design: More stable and silent
- Drum interior light
- Childproof door lock
- Buzzer to indicate the end of cycle
- pull-open latch
- Metal door closing hook

### **Technical information**

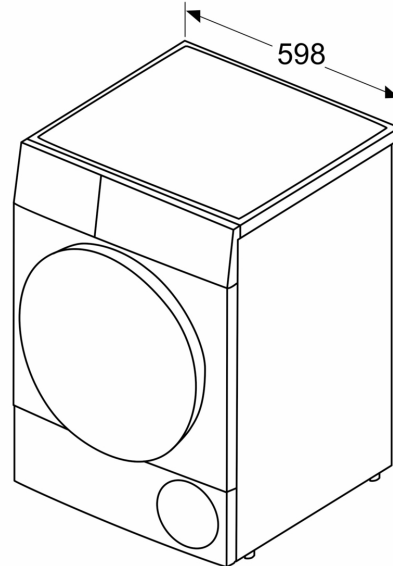
- Can be built-under
- Dimensions (H x W x D): 84.2 x 59.8 x 61.3 cm
- Dimensions (H x W): 84.2 cm x 59.8 cm
- Appliance depth: 61.3 cm
- Appliance depth incl. door: 66.5 cm
- Appliance depth with open door: 110.5 cm

**Series 4, condenser tumble dryer, 8  
kg  
WTN86201GC**

Measurements in mm



Measurements in mm



Measurements in mm

