



**BOSCH**



Register your  
new device on  
MyBosch now and  
get free benefits:  
[bosch-home.com/  
welcome](https://bosch-home.com/welcome)

# Tumble dryer

**WTN86201GC**

**[en]** User manual and installation instructions



**You can find additional information and explanations online.  
Scan the QR code on the title page.**



## Table of contents

<b>1 Safety</b> .....	<b>3</b>	<b>11 Basic operation</b> .....	<b>19</b>
1.1 General information .....	3	11.1 Switching on the appliance ..	19
1.2 Intended use .....	3	11.2 Setting a programme .....	19
1.3 Restriction on user group .....	3	11.3 Opening the door .....	19
1.4 Safe installation .....	4	11.4 Loading laundry .....	20
1.5 Safe use .....	6	11.5 Starting the programme .....	20
1.6 Safe cleaning and mainten- ance .....	8	11.6 Adding laundry .....	20
<b>2 Preventing material damage</b> .....	<b>9</b>	11.7 Cancelling the programme ...	20
<b>3 Environmental protection and saving energy</b> .....	<b>9</b>	11.8 Unloading the laundry .....	20
3.1 Disposing of packaging .....	9	11.9 Switching off the appliance ...	20
3.2 Saving energy .....	9	11.10 Fluff filter .....	20
3.3 Energy saving mode .....	10	11.11 Condensation container .....	21
<b>4 Installation and connection</b> .....	<b>10</b>	<b>12 Dryness level</b> .....	<b>22</b>
4.1 Unpacking the appliance .....	10	12.1 Changing the dryness level ..	23
4.2 Contents of package .....	10	12.2 Adjusting the dryness level ...	23
4.3 Requirements for the installa- tion location .....	10	<b>13 Childproof lock</b> .....	<b>23</b>
4.4 Aligning the appliance .....	11	13.1 Activating the childproof lock .....	23
4.5 Connecting the appliance to the electricity supply .....	11	13.2 Deactivating the childproof lock .....	23
<b>5 Familiarising yourself with your appliance</b> .....	<b>12</b>	<b>14 Basic settings</b> .....	<b>23</b>
5.1 Appliance .....	12	14.1 Overview of the basic set- tings .....	23
5.2 Control panel .....	13	14.2 Changing the basic set- tings .....	24
<b>6 Display</b> .....	<b>13</b>	<b>15 Cleaning and servicing</b> .....	<b>24</b>
<b>7 Buttons</b> .....	<b>14</b>	15.1 Base unit .....	24
<b>8 Programmes</b> .....	<b>15</b>	15.2 Moisture sensor .....	26
8.1 Automatic programmes .....	15	<b>16 Troubleshooting</b> .....	<b>27</b>
8.2 Timed programmes .....	17	<b>17 Transportation, storage and disposal</b> .....	<b>30</b>
<b>9 Accessories</b> .....	<b>17</b>	17.1 Disposing of old appliance ...	30
<b>10 Laundry</b> .....	<b>18</b>	<b>18 Customer Service</b> .....	<b>30</b>
10.1 Preparing the laundry .....	18	18.1 Product number (E-Nr.) and production number (FD) .....	31
10.2 Care symbols on the care la- bels .....	19	<b>19 Consumption values</b> .....	<b>31</b>

## 1 Safety

Observe the following safety instructions.

### 1.1 General information



- Read this instruction manual carefully.
- Keep the instruction manual and the product information safe for future reference or for the next owner.
- Do not connect the appliance if it has been damaged in transit.

### 1.2 Intended use

Only use this appliance:

- for drying and freshening up fabrics that are washed with water and suitable for dryers.
- in private households and in enclosed spaces in a domestic environment.
- Up to an altitude of 4000 m above sea level.

### 1.3 Restriction on user group

This appliance may be used by children aged 8 or over and by people who have reduced physical, sensory or mental abilities or inadequate experience and/or knowledge, provided that they are supervised or have been instructed on how to use the appliance safely and have understood the resulting dangers.

Do not let children play with the appliance.

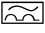
Cleaning and user maintenance must not be performed by children unless they are being supervised.

Keep children under the age of 3 years and pets away from the appliance.

## 1.4 Safe installation

### **⚠ WARNING – Risk of electric shock!**

Incorrect installation is dangerous.

- ▶ Connect and operate the appliance only in accordance with the specifications on the rating plate.
- ▶ Connect the appliance to a power supply with alternating current only via a properly installed socket with earthing.
- ▶ The protective conductor system of the domestic electrical installation must be properly installed. The installation must have a sufficiently large cross section.
- ▶ When using a residual current circuit breaker, only use a type with the  mark.
- ▶ Never equip the appliance with an external switching device, e.g. a timer or remote control.
- ▶ Never connect the appliance to a circuit that is regularly switched on and off by the energy supplier.
- ▶ When the appliance is installed, the mains plug of the power cord must be freely accessible. If free access is not possible, an isolating switch must be integrated into the permanent electrical installation according to the installation regulations.
- ▶ When installing the appliance, check that the power cable is not trapped or damaged.

If the insulation of the power cord is damaged, this is dangerous.

- ▶ Never let the power cord come into contact with hot appliance parts or heat sources.
- ▶ Never let the power cord come into contact with sharp points or edges.
- ▶ Never kink, crush or modify the power cord.

### **⚠ WARNING – Risk of fire!**

It is dangerous to use an extended power cord and non-approved adapters.

- ▶ Do not use extension cables or multiple socket strips.
- ▶ Only use adapters and power cords approved by the manufacturer.
- ▶ If the power cord is too short and a longer one is not available, please contact an electrician to have the domestic installation adapted.

**⚠ WARNING – Risk of injury!**

The heavy weight of the appliance may result in injury when lifted.

- ▶ Do not lift the appliance on your own.

If this appliance is not correctly installed in a washer-dryer stack, the installed appliance may fall.

- ▶ Only stack the dryer on a washing machine using the connection kit from the dryer manufacturer . No other installation method is permitted.

→ *"Accessories", Page 18*

- ▶ Do not install the appliance in a washer-dryer stack if the dryer manufacturer does not offer a suitable connection kit.
- ▶ Do not install appliances from different manufacturers and with varying depths and widths in a washer-dryer stack.
- ▶ Do not install a washer-dryer stack on a platform; the appliances may tip over.

**⚠ WARNING – Risk of suffocation!**

Children may put packaging material over their heads or wrap themselves up in it and suffocate.

- ▶ Keep packaging material away from children.
- ▶ Do not let children play with packaging material.

**⚠ CAUTION – Risk of injury!**

The appliance may vibrate or move when in use.

- ▶ Place the appliance on a clean, even, solid surface.
- ▶ Align the appliance using the appliance feet and a spirit level.

If hoses and power cords have been laid incorrectly, this causes a tripping hazard.

- ▶ Lay hoses and power cords in such a way that there is no risk of tripping.

If the appliance is moved by holding onto protruding components, such as the appliance door, the parts may break off.

- ▶ Do not move the appliance by holding onto protruding parts.

**⚠ CAUTION – Risk of cutting!**

Touching sharp edges on the appliance may lead to cuts.

- ▶ Do not touch the sharp edges on the appliance.
- ▶ Wear protective gloves when installing and transporting the appliance.

## 1.5 Safe use

### **⚠ WARNING – Risk of electric shock!**

If the appliance or the power cord is damaged, this is dangerous.

- ▶ Never operate a damaged appliance.
- ▶ Never pull on the power cord to unplug the appliance. Always unplug the appliance at the mains.
- ▶ If the appliance or the power cord is damaged, immediately unplug the power cord or switch off the fuse in the fuse box.
- ▶ Call customer service. → *Page 30*

An ingress of moisture can cause an electric shock.

- ▶ Only use the appliance in enclosed spaces.
- ▶ Never expose the appliance to intense heat or humidity.
- ▶ Do not use steam- or high-pressure cleaners, hoses or sprays to clean the appliance.

### **⚠ WARNING – Risk of harm to health!**

Children can lock themselves in the appliance, thereby putting their lives at risk.

- ▶ Do not install the appliance behind a door as this may obstruct the appliance door or prevent it from opening.
- ▶ With redundant appliances, unplug the power cord. Then cut through the cord and damage the lock on the appliance door beyond repair so that the appliance door will no longer close.

### **⚠ WARNING – Risk of suffocation!**

Children may breathe in or swallow small parts, causing them to suffocate.

- ▶ Keep small parts away from children.
- ▶ Do not let children play with small parts.

### **⚠ WARNING – Risk of explosion!**

If there is coal dust or flour in the air around the appliance, this may cause an explosion.

- ▶ Keep the area around the appliance clean during operation.

### **⚠ WARNING – Risk of poisoning!**

Condensation water from this appliance is not suitable for drinking and may be contaminated with fluff.

- ▶ Do not drink or reuse the condensation water from the appliance.

Detergents and care products may result in poisoning if consumed.

- ▶ If accidentally swallowed, seek medical advice.
- ▶ Keep detergents and care products out of the reach of children.

**⚠ WARNING – Risk of explosion!**

If there is any residual material left in the fluff filter, this may ignite during the drying process.

- ▶ Clean the fluff filter regularly.

Highly flammable objects such as lighters or matches may ignite during the drying process.

- ▶ Remove all highly flammable objects from any pockets in your laundry before the drying process.

Unwashed laundry that has come into contact with solvents, oil, wax, wax remover, paint, grease or stain remover may ignite when drying is in progress.

- ▶ Do not place laundry in this appliance to be dried if the laundry has not been washed first.
- ▶ Rinse the laundry thoroughly with warm water and detergent before drying it in the machine.
- ▶ Do not use the appliance if industrial chemicals have been used to clean the laundry beforehand.

**⚠ WARNING – Risk of fire!**

If drying is interrupted early, the laundry is not cooled sufficiently and may ignite.

- ▶ Do not interrupt the drying programme early.
- ▶ If drying is interrupted early, remove the laundry immediately and spread it out.

**⚠ CAUTION – Risk of injury!**

The covering plate may break if you stand on or climb onto the appliance.

- ▶ Do not stand on or climb onto the appliance.

The appliance may tip over if you sit on or lean against the open door.

- ▶ Do not sit on or lean against the appliance door.
- ▶ Do not place any objects on the appliance door.

Reaching into the drum while it is still turning may cause hand injuries.

- ▶ Wait for the drum to come to a complete stop before reaching inside.

**⚠ CAUTION – Risk of burns!**

The rear panel of the appliance becomes hot during operation.

- ▶ Do not touch the rear panel of the appliance when it is hot.
- ▶ Keep children away from the rear panel of the appliance when it is hot.
- ▶ Position the appliance with the rear panel close against a wall.

## **1.6 Safe cleaning and maintenance**

**⚠ WARNING – Risk of electric shock!**

Improper repairs are dangerous.

- ▶ Never make any technical modifications to the appliance or its features.
- ▶ Repairs to the appliance should only be carried out by trained specialist staff.
- ▶ Only use genuine spare parts when repairing the appliance.
- ▶ If the power cord of this appliance is damaged, it must be replaced by the manufacturer, the manufacturer's Customer Service or a similarly qualified person in order to prevent any risk.

An ingress of moisture can cause an electric shock.

- ▶ Before cleaning, pull out the mains plug or switch off the fuse in the fuse box.
- ▶ Do not use steam- or high-pressure cleaners, hoses or sprays to clean the appliance.

**⚠ WARNING – Risk of injury!**

The use of non-original spare parts and non-original accessories is dangerous.

- ▶ Only use the manufacturer's original spare parts and original accessories.

**⚠ WARNING – Risk of poisoning!**

Poisonous fumes may be given off if you use cleaning agents that contain solvents.

- ▶ Do not use cleaning agents that contain solvents.



---

## 2 Preventing material damage

### ATTENTION

The functionality of the appliance may be impaired if you use the wrong quantity of fabric softener, detergent, care product or cleaning agent.

- ▶ Follow the dosage recommendations from the manufacturer.

Exceeding the maximum load capacity impairs the function of the appliance.

- ▶ Observe the maximum load capacity for each programme and do not exceed it.

→ *"Programmes", Page 15*

The function of the appliance may be impaired if the appliance overheats.

- ▶ Keep the ventilation opening on the appliance clear during operation.
- ▶ Make sure that the area is adequately ventilated.

Light objects such as hair and fluff may be sucked in from the ventilation opening on the appliance during operation and impair the function of the appliance.

- ▶ Keep the area around the appliance clean during operation.
- ▶ Keep light objects away from the appliance.

If you operate the appliance without a fluff guard (e.g. fluff filter, fluff collector, filter mat, etc., depending on appliance specifications), or if the fluff guard is incomplete or defective, this may result in damage to the appliance.

- ▶ Do not operate the appliance without a fluff guard, or with a fluff guard that is incomplete or defective.

Foam and foam rubber may deform or melt during the drying process.

- ▶ Do not dry laundry that contains foam or foam rubber.

Unsuitable cleaning products may damage the surfaces of the appliance.

- ▶ Do not use harsh or abrasive detergents.
- ▶ Do not use cleaning products with a high alcohol content.
- ▶ Do not use hard scouring pads or cleaning sponges.
- ▶ Clean the appliance with nothing but water and a soft, damp cloth.
- ▶ Remove all detergent residue, spray residue or other residues immediately if they come into contact with the appliance.

---

## 3 Environmental protection and saving energy

### 3.1 Disposing of packaging

The packaging materials are environmentally compatible and can be recycled.

- ▶ Sort the individual components by type and dispose of them separately.

### 3.2 Saving energy


If you follow these instructions, your appliance will use less power.

- Operate the appliance in a well-ventilated room and keep the ventilation opening on the appliance clear.
- Spin the laundry in the washing machine before drying.
- For each drying process, use the maximum load for the programs. Programmes → *Page 15*

## en Installation and connection

- Do not exceed the programme's maximum load capacity. Programmes → *Page 15*
- After drying, clean the fluff filter.  
→ *"Cleaning the fluff filter", Page 20*
- Regularly clean the base unit.  
→ *"Cleaning the base unit", Page 25*

### 3.3 Energy saving mode

If you do not use the appliance for a brief period, it automatically switches to energy-saving mode. All displays go out and  **Start/Reload** flashes. Energy-saving mode ends when you use the appliance again.

---

## 4 Installation and connection

### 4.1 Unpacking the appliance

#### ATTENTION

Objects remaining in the drum that are not designed for operation with the appliance may cause material damage and damage to the appliance.

- ▶ Remove these objects, along with all supplied accessories, from the drum before starting the appliance.
1. Remove any packaging and protective covers completely from the appliance.  
→ *"Disposing of packaging", Page 9*
  2. Check the appliance for visible damage.
  3. Open the door. → *Page 19*
  4. Remove any accessories from the drum.
  5. Close the door.

### 4.2 Contents of package

After unpacking all parts, check for any damage in transit and completeness of the delivery.

#### ATTENTION

If the appliance is operated with incomplete or defective accessories, the appliance may not be able to operate properly, or this may result in material damage or damage to the appliance.

- ▶ Do not operate the appliance with incomplete or defective accessories.
- ▶ Replace the accessories in question before operating the appliance.  
→ *"Accessories", Page 17*

The delivery consists of the following:

- Tumble dryer
- Accompanying documents

### 4.3 Requirements for the installation location

Observe the instructions for the installation location.

#### ATTENTION

If the appliance is tilted at an angle greater than 40°, residual water may leak out of the appliance and cause material damage.

- ▶ Tilt the appliance carefully.
- ▶ Transport the appliance in an upright position.

If residual water in the appliance freezes, this may cause damage to the appliance.

- ▶ Do not install or operate this appliance anywhere that is liable to experience frost or outdoors.

#### On the floor

Place the appliance on a clean, level and firm surface.

Align the appliance. → *Page 11*

### In a washer-dryer stack

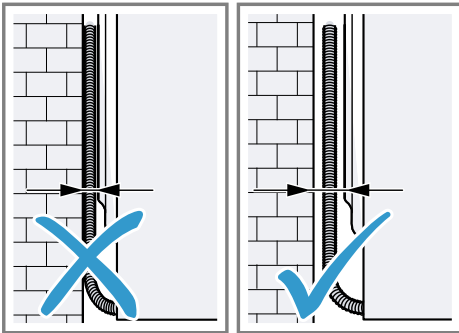
Only use the original connection set from the dryer manufacturer when setting up this appliance in a washer-dryer stack.

- Connection kit → *Page 18*
- Connection kit with pull-out work-top → *Page 18*

This appliance must only be stacked on a washing machine from the same manufacturer. The depth and width of this appliance must correspond with the dimensions of the washing machine.

Do not place the washer-dryer stack on a platform.

### Against a wall

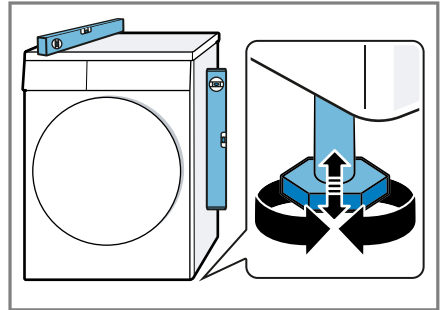


Do not trap the hoses and power cord between the wall and the appliance.

### 4.4 Aligning the appliance

In order to reduce vibrations and noises, align the appliance correctly.

- ▶ To align the appliance, turn the appliance feet. Check that the appliance is level using a spirit level.



All appliance feet must stand firmly on the ground.

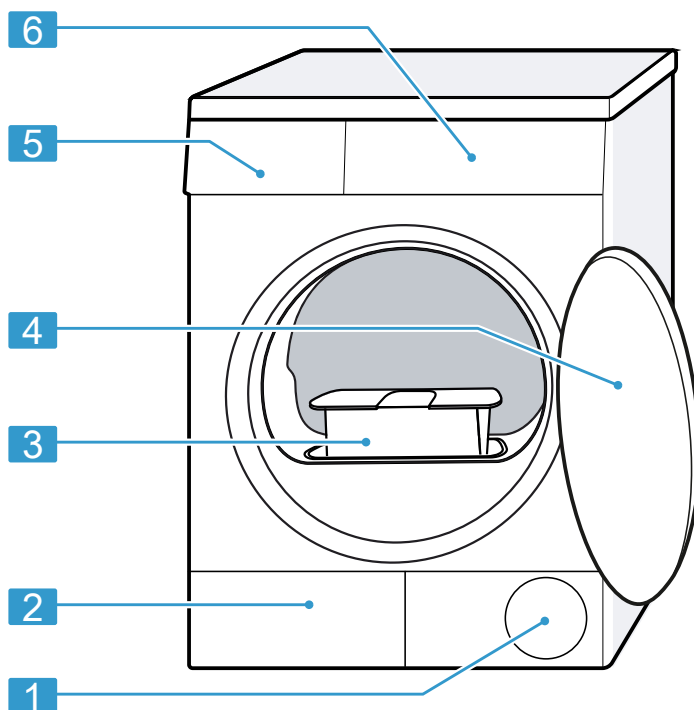
### 4.5 Connecting the appliance to the electricity supply

1. Insert the mains plug of the appliance's power cable in a socket nearby.  
The connection details of the appliance can be found under Technical data → *Page 32*.
  2. Check the mains plug is inserted properly.
- ✓ The appliance is now ready for use.

## 5 Familiarising yourself with your appliance

### 5.1 Appliance

You can find an overview of the parts of your appliance here.



On certain models, specific details such as the colour and shape may differ from those pictured.

---

**1** Ventilation opening

---

**2** Maintenance flap on the base unit → *Page 24*

---

**3** Fluff filter → *Page 20*

---

---

**4** Door → *Page 19*

---

**5** Condensation container → *Page 21*

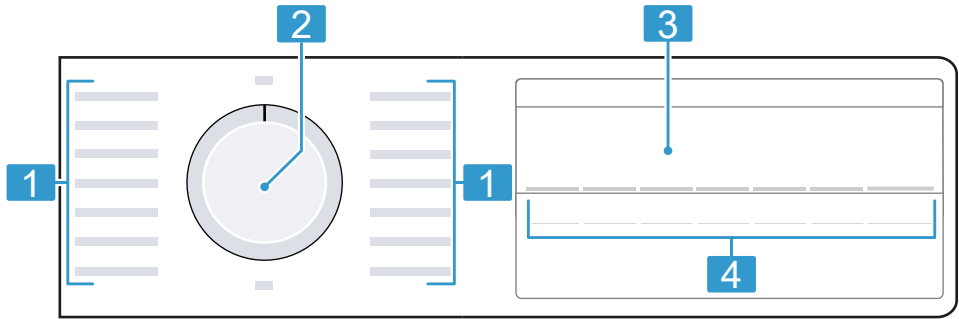
---

**6** Control panel → *Page 13*

---

## 5.2 Control panel

You can use the control panel to configure all functions of your appliance and to obtain information about the operating status.



**1** Programmes → *Page 15*

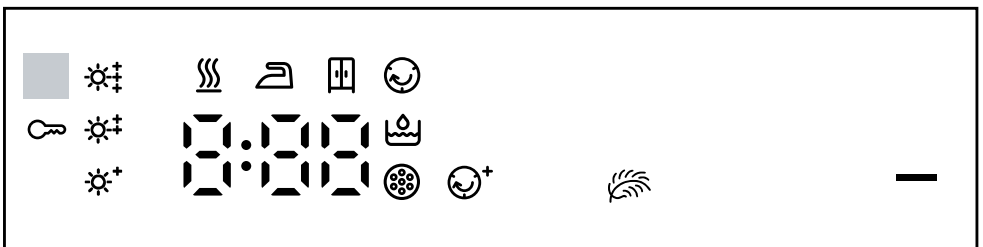
**2** Programme selector  
→ *Page 19*

**3** Display → *Page 13*

**4** Buttons → *Page 14*

## 6 Display







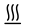



The display shows the current settings, options or relevant information. Depending on the programme status, the display shows some information in the 8:88 area, e.g. End.





Example: Display

Display	Description
0:40 <sup>1</sup>	Expected programme duration or programme time remaining in hours and minutes.

<sup>1</sup> Example

Display	Description
1:25	The timed programme is set. → <i>Page 17</i>
10h <sup>1</sup>	Programme end time → <i>Page 15</i>
	<ul style="list-style-type: none"> <li>■ Lights up: The childproof lock is activated.</li> <li>■ Flashes: The childproof lock is activated and the appliance has been operated. → <i>Page 23</i></li> </ul>
—	<p>Start, cancel or pause</p> <ul style="list-style-type: none"> <li>■ Lights up: The programme is running and can be cancelled or paused.</li> <li>■ Flashes: The programme can be started or continued.</li> </ul>
	The adjusted dryness level is activated. → <i>Page 22</i>
	The crease-reduction function is activated. → " <i>Buttons</i> ", <i>Page 15</i>
	Gentle drying is activated for delicate fabrics. → <i>Page 15</i>
	Empty and insert the condensation container. → <i>Page 22</i>
	Clean the fluff filter → <i>Page 20</i> . Clean the base unit. → <i>Page 24</i>
Hot	<p>The cooling process cools the laundry independently of the programme status for a few minutes while the drum is rotating, in order to avoid damage to the laundry. The cooling process can be cancelled by opening the door.</p> <p><b>Note:</b> Do not change the set programme.</p>
	Programme status: Drying
	Programme status: Iron dry dryness level
	Programme status: Cupboard Dry dryness level
	Programme status: Crease-reduction function
-P-	Programme status: Pause
End	Programme status: Programme end

## 7 Buttons

Button	Description
 Start/Reload	Start, cancel or pause the programme.
 3 sec.	Activate or deactivate the childproof lock. → <i>Page 23</i>

<sup>1</sup> Example

Button	Description
☼ Fine Adjust	Adjust the dryness level. → <i>Page 23</i>
☉ Anti Crease	Activate or deactivate the crease-reduction function. Once the programme has ended, the drum moves the laundry at regular intervals for 120 minutes to prevent creasing.
☼ Gentle	Activate or deactivate gentle drying. The temperature is reduced for delicate fabrics, e.g. poly-acrylic or elastane. The programme duration is extended.
☉ Ready In	Set the programme end time. The programme duration is already included in the set number of hours. Once the programme has started, the programme duration is displayed.
☉ Program Length	Set the programme duration for timed programmes. → <i>Page 17</i>

## 8 Programmes

You can dry your fabrics using either an automatic programme or a timed programme.

**Note:** The laundry's care labels provide you with additional information about programme selection. → *"Care symbols on the care labels", Page 19*

### 8.1 Automatic programmes

Automatic programmes are programmes in which humidity sensors measure the residual moisture in the laundry during the drying cycle. The programme only ends once the set dryness level is reached.

Each automatic programme has a dryness level → *Page 22*. The dryness level defines how dry or damp the laundry is after the programme ends.

**Tip:** Select the dryness level according to the type of fabric or the desired drying result.

Programme	Description	Max. load (kg)
Cottons Cupboard Dry Extra	Dry hard-wearing, heat-resistant fabrics made of cotton or linen. The dryness level is defined in this programme. → <i>Page 22</i>	8.0
Cottons Cupboard Dry	Dry hard-wearing, heat-resistant fabrics made of cotton or linen. The dryness level is defined in this programme. → <i>Page 22</i>	8.0

<b>Programme</b>	<b>Description</b>	<b>Max. load (kg)</b>
Cottons Iron Dry	Dry hard-wearing, heat-resistant fabrics made of cotton or linen. The dryness level is defined in this programme. → <i>Page 22</i>	8.0
Easy Care Cupboard Dry Extra	Dry items made of synthetic materials or blended fabrics. The dryness level is defined in this programme. → <i>Page 22</i>	3.5
Easy Care Cupboard Dry	Dry items made of synthetic materials or blended fabrics. The dryness level is defined in this programme. → <i>Page 22</i>	3.5
Easy Care Iron Dry	Dry items made of synthetic materials or blended fabrics. The dryness level is defined in this programme. → <i>Page 22</i>	3.5
Mixed Load	Dry items made of cotton and synthetics.	3.0
Down Wear	Dry clothing, bedspreads or eiderdowns stuffed with down.	1.5
<b>Notes</b>		
<ul style="list-style-type: none"> <li>▪ Dry large items of laundry, such as blankets or sleeping bags, separately.</li> <li>▪ Once the programme has ended, shake the items of laundry to distribute the stuffing and eliminate any pockets of moisture.</li> <li>▪ If you dry the pillows and the pillows are not completely dry at the end of the programme, dry the pillows with a timed programme. → <i>Page 17</i></li> </ul>		
AllergyPlus	Dry hard-wearing, heat-resistant fabrics made of cotton or linen. Suitable for increased hygiene requirements.	4.0
Sportswear	Dry self-drying sportswear made of performance fibres, microfibres and synthetics.	1.5
Shirts 15'	Suitable for shirts and blouses made of cotton, linen, synthetics or blended fabrics.	1.5



Programme	Description	Max. load (kg)
	<p><b>Note:</b> For optimal drying results, dry a maximum of 5 shirts or 5 blouses at the same time.</p> <p>Once the laundry is dry, iron it or hang it up. The residual moisture is then distributed evenly.</p>	
Super 40'	Dry items made of synthetics and light cotton.	2.0

## 8.2 Timed programmes

Timed programmes are programmes with a defined or adjustable programme duration. The programme ends once this time has elapsed, even if the laundry is still not dry, for example. Timed programmes are suitable for drying individual items of laundry or thin fabrics.

Programme	Description	Max. load (kg)
Wool Finish	<p>Dry machine-washable items made of wool or containing wool.</p> <p><b>Note:</b> The laundry becomes fluffier but not dry.</p> <p>Remove laundry once the programme has ended and allow it to dry.</p>	0.5
Time Program Cold	<p>Fluff/loosen all fabric types except for wool and silk.</p> <p>This programme is suitable for fluffing dry laundry only.</p> <p>Also suitable for freshening up or airing dry clothing that has hardly been worn.</p>	3.0
Time Program Warm	<p>Dry all types of fabric except for wool and silk.</p> <p>Suitable for pre-dried or slightly damp laundry and for drying off multi-layered, thick laundry.</p>	3.0

## 9 Accessories

Use original accessories. These have been made especially for your appliance.

**Tip:** Some accessories are available in other colours. Contact customer service. → *Page 30*

	Use	Order number
Connection kit	To save space, stack the appliance on a suitable washing machine of the same width and depth and that is from the same manufacturer.	WTZ20410
Connection kit with pull-out worktop	To save space, stack the appliance on a suitable washing machine of the same width and depth and that is from the same manufacturer. The pull-out worktop makes it easier to load and unload the appliance.	WTZ11400
Wool basket	Dry or air individual wool-len items, sports shoes and soft toys.	WMZ20600
Y-distributor	Connect the water outlet hose of an additional appliance to the same siphon outlet.	15000490
Water outlet hose	Drain away excess condensation directly into the waste water system, without having to regularly empty the condensation container.	WTZ1110
Platform	Install the appliance at a raised height so that it can be easily loaded and unloaded.	WTZPW20D

## 10 Laundry

### 10.1 Preparing the laundry

#### **WARNING**

#### **Risk of explosion!**

Fillings made of polyamide, polyester, polyethylene, polypropylene or polystyrene can leak out of openings

in items of laundry, melt during the drying process and cause an explosion in the appliance.

- ▶ Do not dry items of laundry with fillings made of polyamide, polyester, polyethylene, polypropylene or polystyrene in the appliance.

**ATTENTION**

Objects remaining in the laundry may damage the laundry and the drum.




- ▶ Remove all items from any pockets in your laundry before using the appliance.

**Note**

The appliance and fabrics are protected when you prepare your laundry.

- Brush off sand and soil
- Sort the laundry according to colour and textiles and observe the care labels
- Close all zips, hook and loop fasteners, hooks and eyes
- Remove curtain fittings and lead strips
- Load the laundry unfolded into the drum
- Spin the laundry before drying
- Dry woollen items, sports shoes and soft toys in the wool basket  
Wool basket

**10.2 Care symbols on the care labels****Drying care symbols**

Symbol	Fabrics
	Items made from cotton and linen, e.g. towels, bed linen, underwear
	Items made from synthetic, blended or delicate fabrics, e.g. functional garments, shirts
	Do not tumble dry items made from silk, nylon, air-impermeable and rubber-coated fabrics, synthetic curtains

**11 Basic operation****11.1 Switching on the appliance**

**Requirement:** The appliance has been correctly installed and connected. → *Page 10*

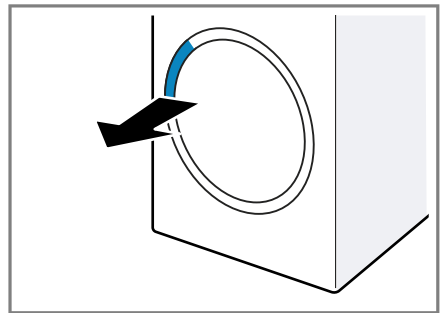
- ▶ Turn the programme selector to a programme.

**11.2 Setting a programme**

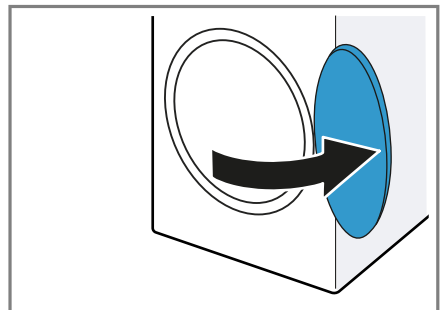
1. Turn the programme selector and set the required programme.  
→ *Page 15*
2. If required, adjust the programme settings. → *Page 14*  
The programme settings are not saved permanently for the programme.

**11.3 Opening the door**

1. Grip under the door handle and pull on the door.



2. Open the door.



## 11.4 Loading laundry

**Note:** To prevent creasing, note the maximum load for the programmes.

→ *Page 15*


### Requirements

- The laundry is prepared and sorted. → *Page 18*
- The drum is empty.

1. Open the door. → *Page 19*
2. Place the laundry in the drum.
3. Close the door.  
Ensure that there is no laundry trapped in the door.

## 11.5 Starting the programme

### Requirements


- A programme is set. → *Page 19*
- The door is closed.
- ▶ Press  **Start/Reload** .
- ✓ The display shows the programme duration or the programme end time.
- ✓ After the programme has ended, the display shows: "End" .

**Note:** When "Hot" is shown on the display, the appliance cools the laundry.


When "Hot" goes out, the laundry has cooled down.

## 11.6 Adding laundry

After the programme starts, you can remove or add laundry at any time.

1. Press  **Start/Reload** .  
The cooling process starts automatically after approximately 30 seconds and cools down the laundry while the drum is rotating. If you want to avoid or cancel the cooling process, open the door.  
→ *Page 14*
2. Open the door. → *Page 19*
3. Add or remove laundry.
4. Close the door.
5. Start the programme. → *Page 20*

## 11.7 Cancelling the programme

1. Press  **Start/Reload** .
2. Open the door. → *Page 19*
3. Remove the laundry. → *Page 20*

## 11.8 Unloading the laundry

1. Open the door. → *Page 19*
2. Remove the laundry from the drum.

## 11.9 Switching off the appliance

- ▶ Turn the programme selector to **Off** .

## 11.10 Fluff filter


During drying, fluff from the laundry is collected in the fluff filter. The fluff filter protects the appliance from fluff.

### Cleaning the fluff filter

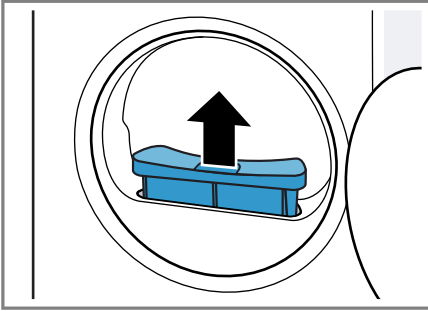
If the drying programme has finished or the display shows a notification while the appliance is in operation, clean the fluff filter after the programme end.

**Note:** If you do not clean the appliance as described, the appliance's functionality may be impaired.

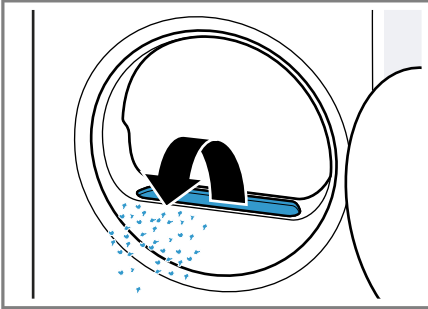
### Requirements

- The display shows the following after drying: "End"
  - or the display shows the following during operation:  .
1. Open the door. → *Page 19*
  2. Remove the fluff from the inside of the door.

3. Remove the fluff filter.

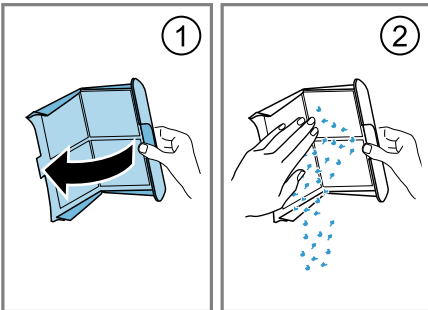


4. Remove the fluff from the recess.



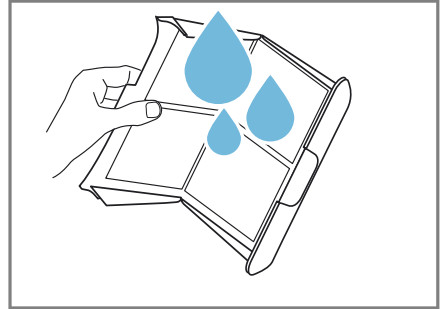
Ensure that no fluff falls into the air channel.

5. Open the fluff filter ① and remove the fluff ②.

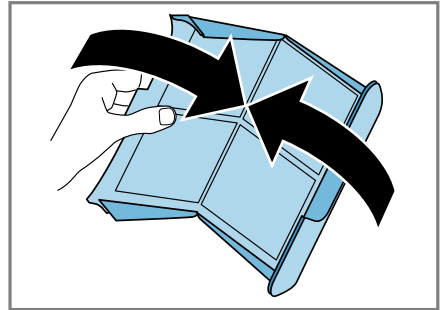


Dispose of the fluff with the household waste in order to prevent the water from being contaminated with microplastics.

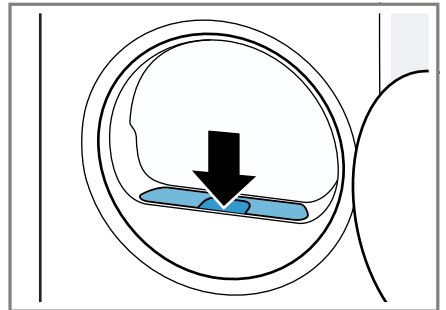
6. Clean the fluff filter thoroughly under warm, running water and then dry it off.



7. Close the fluff filter.



8. Insert the fluff filter.



9. Close the door.

### 11.11 Condensation container

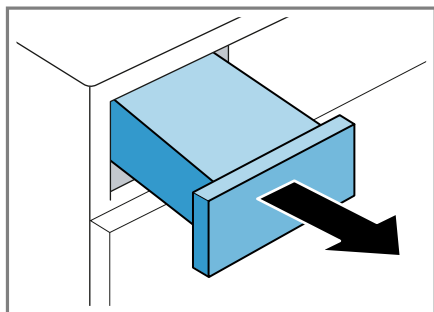
Condensation that forms in the appliance as it dries the laundry is collected by default in the condensation container.

## Emptying the condensation container

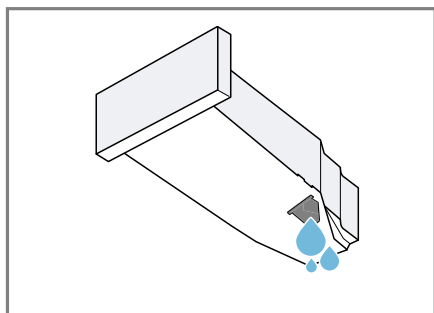
If the drying programme has finished or the display shows a notification that the drying programme is paused, empty the condensation container.

### Requirements

- The display shows the following after drying: "End"
  - or the display shows the following while operation is paused: ☹️.
1. Pull out the condensation container, keeping it level.



2. Empty the condensation container.

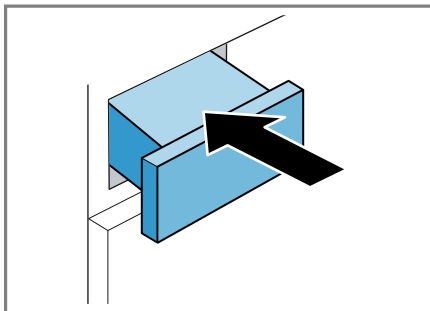


Make sure that you insert the condensation container before operating the appliance. → *Page 22*

3. If the drying programme is paused, start the programme. → *Page 20*

## Inserting the condensation container

- ▶ Push the condensation container in as far as it will go.



## 12 Dryness level

Each automatic programme has a specified dryness level. The dryness level defines how dry or damp your laundry is after the programme ends.

Programme	Description
Cottons Cupboard Dry Extra	For multi-layered, thick laundry that does not dry readily.
Easy Care Cupboard Dry Extra	
Cottons Cupboard Dry	For normal, single-layered laundry.
Easy Care Cupboard Dry	
Cottons Iron Dry	For normal, single-layered laundry.
Easy Care Iron Dry	The laundry is still slightly damp after the programme ends. To prevent creasing after drying, iron the laundry or hang it up.




## 12.1 Changing the dryness level

For some automatic programmes, you can change the dryness level so that your laundry will be drier or more damp.

- ▶ Set an automatic programme with the desired dryness level.  
→ *Page 15*

## 12.2 Adjusting the dryness level



If the laundry feels too damp after it has been dried to a particular dryness level, you can adjust the dryness level.

1. Set an automatic programme with the desired dryness level.  
→ *Page 15*
2. Repeatedly press  **Fine Adjust** to adjust the dryness level from  (dry) to  (driest).

## 13 Childproof lock



Secure your appliance against being operated unintentionally using the controls.

### 13.1 Activating the childproof lock

- ▶ Press on both  **3 sec.** buttons for approx. 3 seconds.
- ✓ The display shows .
- ✓ The control elements are locked.
- ✓ The childproof lock remains active even after the appliance has been switched off and in the event of a power cut.

### 13.2 Deactivating the childproof lock

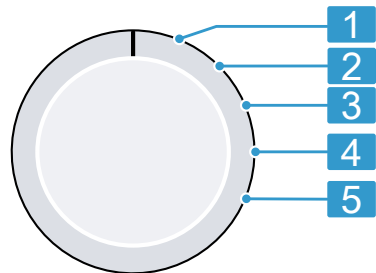
**Requirement:** To deactivate the childproof lock, the appliance must be switched on.

- ▶ Press on both  **3 sec.** buttons for approx. three seconds. So that the programme currently running is not cancelled, the programme selector must be set to the initial programme.
- ✓  goes out on the display.

## 14 Basic settings

You can configure the basic settings for your appliance to meet your needs.

### 14.1 Overview of the basic settings



Programme selector with programme positions

#### 1 No basic setting.

Set the spin speed of the washing machine:

#### 2 600 (low) to 1800 (high)<sup>1</sup> The set value increases or decreases the duration of the automatic programmes.

<sup>1</sup> Example

---

**3** Set the volume of the signal at the end of the programme:  
0 (off) to 4 (very loud)

---

**4** Set the volume of the signal tone emitted when the buttons are pressed:  
0 (off) to 4 (very loud)

---

Set the minimum installation protection of the appliance to 10 A (LO) or 13 A (HI).

**Note:** The values for the energy label were determined with a minimum installation protection of 13 A. If the installation protection is changed to 10 A, the programme duration and energy consumption will be increased.  
→ "Consumption values",  
Page 31

---

## 14.2 Changing the basic settings

1. Set the programme selector to position 1. → Page 23
2. Press **Start/Reload** and, at the same time, turn the programme selector to position 2.
  - ✓ The display shows the current value.
3. Use the programme selector to select the required basic setting.  
→ Page 23
4. To change the value, press **⏸** **Drying Time** / **⏸** **Ready In** .
5. To save the changes, switch off the appliance.

---

## 15 Cleaning and servicing

### 15.1 Base unit

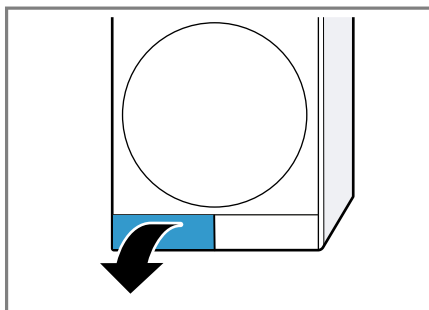
The base unit is the accessible area at the bottom of the appliance in

which you will find the heat exchanger.

### Opening the base unit

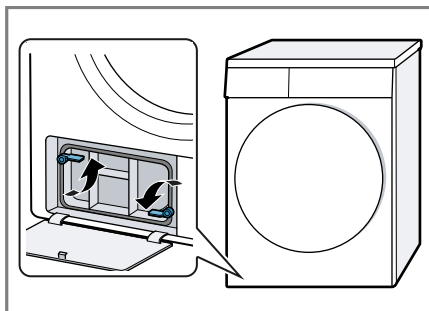
#### Requirements

- The appliance has cooled down for 30 minutes.
  - The appliance door is closed.
1. Open the maintenance flap.



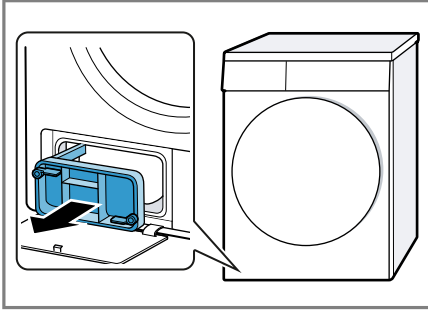
If you place a cloth beneath the maintenance flap, you can collect the remaining water from the base unit.

2. Open the lever for the heat exchanger cover.





3. Pull out the heat exchanger cover by the handle.



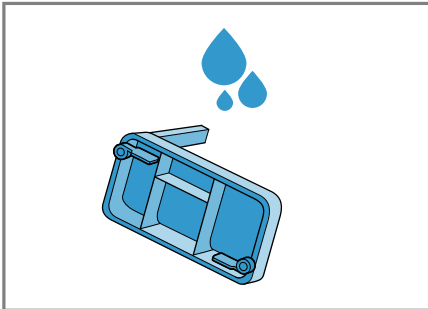
### Cleaning the base unit

You can remove any visible dirt in the base unit.

#### ATTENTION

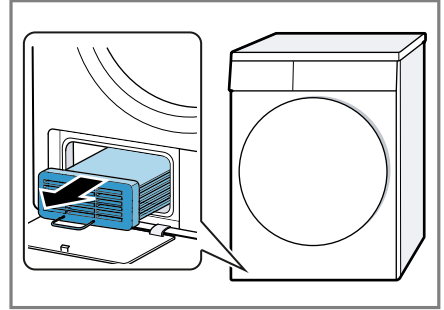
Heavy or sharp objects may damage the heat exchanger.

- ▶ Do not use hard, sharp or rough objects for cleaning.
1. Open the base unit. → *Page 24*
  2. Clean the heat exchanger cover under running water and dry it.

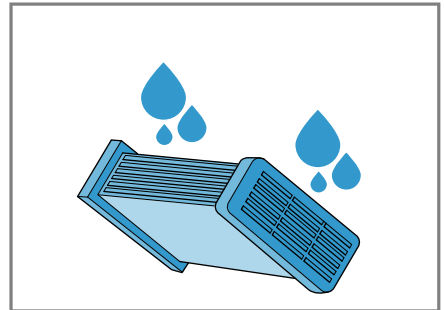


Make sure that you remove all dirt from the seal.

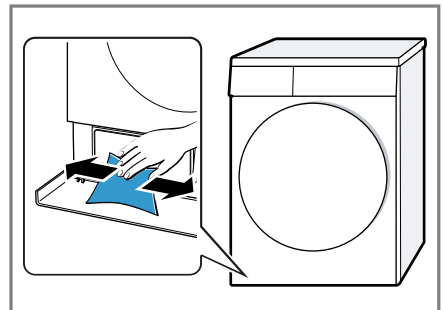
3. Pull out the heat exchanger horizontally.



4. Clean the heat exchanger from all sides under running water and dry it.

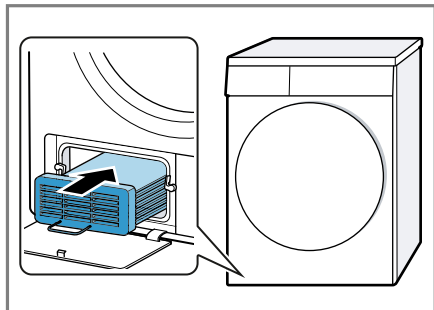


5. Clean the opening with a soft, damp cloth.



## en Cleaning and servicing

- Slide the heat exchanger in horizontally as far as it will go.



Ensure that the heat exchanger is inserted with its handle pointing downwards.

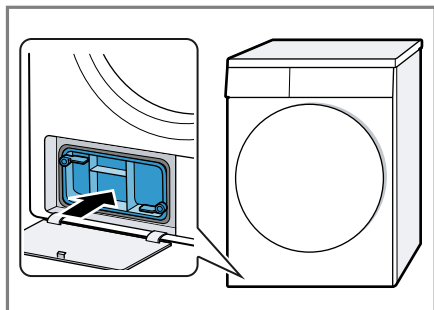
- Close the base unit. → *Page 26*

### Closing the base unit

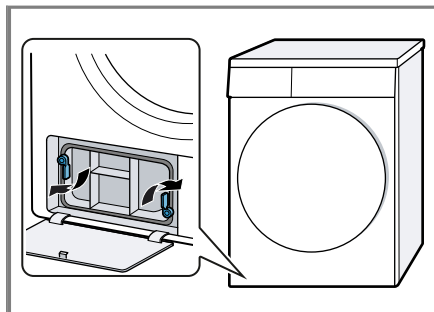
**Requirement:** The base unit is open.

→ *"Opening the base unit", Page 24*

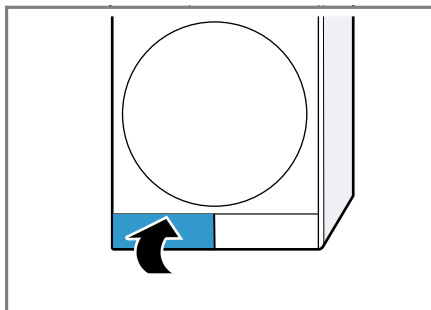
- Insert the heat exchanger cover by the handle.



- Close the lever for the heat exchanger.



- Close the maintenance flap.



## 15.2 Moisture sensor

The moisture sensor in this appliance measures how damp the laundry is during the drying cycle. The appliance changes the duration of the automatic programme depending on the residual moisture in the laundry.

### Cleaning the moisture sensor

Over time, residue from limescale, detergents and care products can build up on the moisture sensor. Clean the moisture sensor regularly.

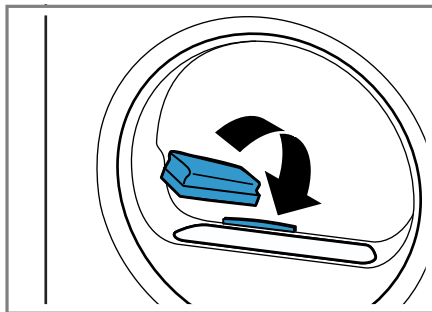
#### ATTENTION

Hard or rough objects may damage the moisture sensor.

- ▶ Do not use hard or rough objects, abrasive cleaning products or steel wool for cleaning.

**Note:** If you do not clean the appliance as described, the appliance's functionality may be impaired.

1. Open the door.
2. Clean the moisture sensor with a sponge.



## 16 Troubleshooting



You can rectify minor faults on your appliance yourself. Read the troubleshooting information before contacting after-sales service. This will avoid unnecessary costs.

### **WARNING**

#### **Risk of electric shock!**

Improper repairs are dangerous.

- ▶ Never make any technical modifications to the appliance or its features.
- ▶ Repairs to the appliance should only be carried out by trained specialist staff.
- ▶ Only use genuine spare parts when repairing the appliance.
- ▶ If the power cord of this appliance is damaged, it must be replaced by the manufacturer, the manufacturer's Customer Service or a similarly qualified person in order to prevent any risk.

Fault	Cause and troubleshooting
The display goes out and  <b>Start/Reload</b> flashes.	Energy-saving mode is active ▶ Press  <b>Start/Reload</b> .
All other error codes.	Malfunction <ol style="list-style-type: none"> <li>1. Restart the appliance.</li> <li>2. If the fault occurs again, disconnect the appliance from the power supply for at least 30 seconds. Unplug the appliance from the mains or switch off the circuit breaker in the fuse box.</li> <li>3. If the fault persists, call customer service. → <i>Page 30</i> Please specify the exact error message when calling. If possible, document the fault with photos and videos.</li> </ol>
"Hot" and the drum rotates.	Not a fault. The cooling process is active. No action required.

Fault	Cause and troubleshooting
"Hot" and the drum rotates.	<p><b>Note:</b> Do not change the programme during the cooling process. The cooling process takes up to 10 minutes.</p>
☹ and programme terminated.	<p>The condensation container is full.</p> <ul style="list-style-type: none"> <li>▶ Empty the condensation container. → <i>Page 22</i></li> </ul> <p>The water outlet hose is not connected correctly, or is kinked or trapped.</p> <ul style="list-style-type: none"> <li>▶ Check the installation of the water outlet hose.</li> </ul> <p>Water outlet hose is blocked.</p> <ul style="list-style-type: none"> <li>▶ Rinse the water outlet hose with tap water.</li> </ul> <p>A foreign object is in the base unit.</p> <ol style="list-style-type: none"> <li>1. Open the base unit. → <i>Page 24</i></li> <li>2. Remove any foreign objects.</li> <li>3. Close the base unit. → <i>Page 26</i></li> </ol>
🌀 / E:69	<p>Fluff filter is soiled.</p> <ul style="list-style-type: none"> <li>▶ Clean the fluff filter. → <i>Page 20</i></li> </ul>
The programme does not start.	<p>Childproof lock is activated.</p> <ul style="list-style-type: none"> <li>▶ Deactivate the childproof lock. → <i>Page 23</i></li> </ul> <p>⊖ <b>Ready In</b> is activated.</p> <ul style="list-style-type: none"> <li>▶ Check whether ⊕ <b>Ready In</b> is activated. → <i>Page 15</i></li> </ul>
The length of the programme changes during the drying cycle.	<p>Not a fault. The programme sequence is optimised electronically. No action required.</p>
The drying time is too long.	<p>Fluff filter is soiled.</p> <ul style="list-style-type: none"> <li>▶ Clean the fluff filter. → <i>Page 20</i></li> </ul> <p>The ambient temperature is lower than 15 °C or higher than 30 °C.</p> <ul style="list-style-type: none"> <li>▶ Ensure that the ambient temperature is between 15 °C and 30 °C.</li> </ul> <p>The air circulation at the appliance's installation location is insufficient.</p> <ul style="list-style-type: none"> <li>▶ Ventilate the appliance's installation location.</li> </ul> <p>The appliance's ventilation opening is blocked.</p> <ul style="list-style-type: none"> <li>▶ Ensure that the ventilation opening of the appliance is kept clear.</li> </ul> <p>Heat exchanger is soiled.</p> <ol style="list-style-type: none"> <li>1. Open the base unit. → <i>Page 24</i></li> <li>2. Clean the heat exchanger. → <i>Page 25</i></li> <li>3. Close the base unit. → <i>Page 26</i></li> </ol>

<b>Fault</b>	<b>Cause and troubleshooting</b>
Humming, whirring or pumping noises.	Not a fault. The compressor, compressor ventilation or condensation pump is active. No action required.
The laundry is too damp.	The selected programme is unsuitable for the type of fabric. ▶ Set a time programme for subsequent drying. → <i>Page 17</i>
	The load is too large. ▶ Observe the programme's maximum load capacity. → <i>Page 15</i>
	After the end of the programme, warm laundry feels damper than it actually is. <b>1.</b> Remove the laundry from the drum as soon as the drying programme has finished. <b>2.</b> Spread the items of laundry for cooling.
	The selected dryness level is unsuitable. ▶ Change the dryness level. → <i>Page 23</i>
	The dryness level is not adjusted. ▶ Adjust the dryness level. → <i>Page 23</i>
	The load is too small. ▶ Set a time programme for subsequent drying. → <i>Page 17</i>
	The moisture sensor is dirty. ▶ Clean the moisture sensor. → <i>Page 26</i>
	The appliance has interrupted the drying process due to the condensation container being full. ▶ Empty the condensation container. → <i>Page 22</i>
Creasing.	The selected programme is unsuitable for the type of fabric. ▶ Set a suitable programme. → <i>Page 15</i>
	The load is unsuitable. ▶ Observe the programme's maximum load capacity. → <i>Page 15</i> ▶ Prepare the laundry. → <i>Page 18</i>
	The laundry lies in the drum for too long after drying. <b>1.</b> Remove the laundry from the drum as soon as the drying programme has finished. <b>2.</b> Spread the items of laundry for cooling.
	Easy Care fabrics have been dried for too long. ▶ Change or adjust the dryness level. → <i>Page 22</i>

Fault	Cause and troubleshooting
Creasing.	The crease-reduction function is not activated. ▶ Activate the crease-reduction function. → <i>Page 14</i>
Water is leaking from the appliance.	Appliance is not correctly aligned. ▶ Align the appliance. → <i>Page 11</i> Water outlet hose is not connected correctly. ▶ Check the installation of the water outlet hose.
Condensation collects in the condensation container despite the water outlet hose being connected.	Not a fault. The remaining volume of condensation may remain in the condensation container. No action required. Water outlet hose is not connected correctly. ▶ Check the installation of the water outlet hose.

## 17 Transportation, storage and disposal

### 17.1 Disposing of old appliance

Valuable raw materials can be re-used by recycling.

#### **WARNING**

#### **Risk of harm to health!**

Children can lock themselves in the appliance, thereby putting their lives at risk.

- ▶ Do not install the appliance behind a door as this may obstruct the appliance door or prevent it from opening.
- ▶ With redundant appliances, unplug the power cord. Then cut through the cord and damage the lock on the appliance door beyond repair so that the appliance door will no longer close.

1. Unplug the appliance from the mains.

2. Cut through the power cord.
3. Dispose of the appliance in an environmentally friendly manner. Information about current disposal methods are available from your specialist dealer or local authority.



This appliance is labelled in accordance with European Directive 2012/19/EU concerning used electrical and electronic appliances (waste electrical and electronic equipment - WEEE). The guideline determines the framework for the return and recycling of used appliances as applicable throughout the EU.

## 18 Customer Service

Detailed information about the warranty period and the warranty conditions in your country is available via the QR code on the enclosed document on service contacts and warranty conditions, from our customer service or on our website.

If you contact Customer Service, you will require the product number (E-Nr.) and the production number (FD) of your appliance.

You can find the contact details for our customer service via the QR code on the enclosed document on service contacts and warranty conditions or on our website.

### 18.1 Product number (E-Nr.) and production number (FD)

You can find the product number (E-Nr.) and the production number (FD) on the appliance's rating plate.

Depending on the model, the rating plate is located:

- On the inside of the door.
- On the inside of the maintenance flap.
- On the rear of the appliance.

Make a note of your appliance's details and the Customer Service telephone number to find them again quickly.

---

## 19 Consumption values

The specified values are indicative only and were determined in accordance with the applicable standard IEC61121.

The actual values may deviate from the indicated values depending on the type of fabric, composition of laundry to be dried, residual moisture in the fabric, set degree of dryness, amount of laundry being loaded, environmental conditions and the activation of additional functions.

The expected programme duration/"Ready in" time that is shown on the appliance display when selecting the programme is based on the spin speed in the washing machine of 1000 rpm when the appliance is delivered.

Programme	Final moisture level (%)	Load (kg)	Spin speed (rpm)	Initial moisture level (%)	Programme duration (h:min) <sup>1</sup>	Energy consumption (kWh/cycle) <sup>1</sup>
Cottons Cupboard Dry <sup>2</sup>	0.0	8.0	1400	50	02:24 / 02:08	4.08 / 4.00
Cottons Cupboard Dry <sup>2</sup>	0.0	8.0	1000	60	02:47 / 02:30	4.79 / 4.71

<sup>1</sup> Consumption value for a minimum installation protection of 10 A/Consumption value for a minimum installation protection of 13 A

<sup>2</sup> In accordance with KWS 1898:2023, the annual energy consumption is 560 kWh.

Programme	Final moisture level (%)	Load (kg)	Spin speed (rpm)	Initial moisture level (%)	Programme duration (h:min) <sup>1</sup>	Energy consumption (kWh/cycle) <sup>1</sup>
Cottons Cupboard Dry <sup>2</sup>	0.0	8.0	800	70	03:10 / 02:52	5.49 / 5.42
Cottons Iron Dry	12.0	8.0	1400	50	01:48 / 01:28	3.06 / 2.97
Cottons Iron Dry	12.0	8.0	1000	60	02:10 / 01:53	3.78 / 3.69
Cottons Iron Dry	12.0	8.0	800	70	02:33 / 02:18	4.49 / 4.42
Easy Care Cupboard Dry	2.0	3.5	800	40	00:53 / 00:45	1.43 / 1.40
Easy Care Cupboard Dry	2.0	3.5	600	50	01:03 / 00:54	1.73 / 1.71

## 20 Technical data

Appliance height	84.2 cm
Appliance width	59.8 cm
Appliance depth	61.3 cm
Appliance depth with door closed	66.5 cm
Appliance depth with door open	110.5 cm
Weight	41.3 kg
Maximum load	8.0 kg
Mains voltage	220-240 V, 50 Hz
⇌ Minimum installation protection	13/10 A <sup>3</sup>
Nominal power	2800/2100 W

Power consumption	<ul style="list-style-type: none"> <li>▪ Off mode: 0.15 W</li> <li>▪ Left-on mode: 0.50 W</li> </ul>
Ambient temperature	<ul style="list-style-type: none"> <li>▪ Minimum: 5 °C</li> <li>▪ Maximum: 35 °C</li> </ul>
Length of the power cord	145 cm

<sup>1</sup> Consumption value for a minimum installation protection of 10 A/Consumption value for a minimum installation protection of 13 A

<sup>2</sup> In accordance with KWS 1898:2023, the annual energy consumption is 560 kWh.

<sup>3</sup> Setting the higher value results in the appliance having a higher nominal power.











# Thank you for buying a Bosch Home Appliance!

Register your new device on MyBosch now and profit directly from:

- **Expert tips & tricks for your appliance**
- **Warranty extension options**
- **Discounts for accessories & spare-parts**
- **Digital manual and all appliance data at hand**
- **Easy access to Bosch Home Appliances Service**

Free and easy registration – also on mobile phones:

**[www.bosch-home.com/welcome](http://www.bosch-home.com/welcome)**



## Looking for help? You'll find it here.

Expert advice for your Bosch home appliances, help with problems or a repair from Bosch experts.

Find out everything about the many ways Bosch can support you:

**[www.bosch-home.com/service](http://www.bosch-home.com/service)**

Contact data of all countries are listed in the attached service directory.

### **BSH Hausgeräte GmbH**

Carl-Wery-Straße 34

81739 München, GERMANY

[www.bosch-home.com](http://www.bosch-home.com)

A Bosch Company



**9001998198** (050728)

en